



2SB892 (3CA892)

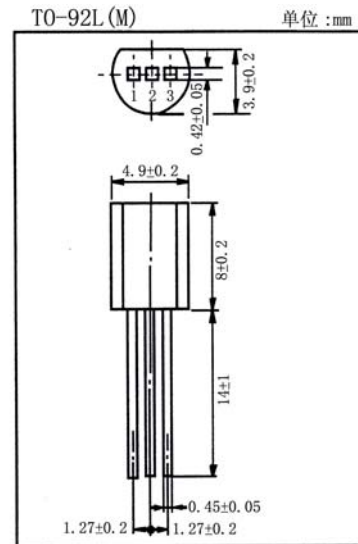
硅 PNP 半导体三极管/SILICON PNP TRANSISTOR

用途:用于电源供应,继电器驱动,灯驱动/Purpose:Power supplies,relay drivers, lamp drivers,and automotive wiring.

特点:饱和压降低,电流容量大/Features:Low saturation voltage,large current capacity.

极限参数/Absolute maximum ratings(Ta=25°C)

参数符 Symbol	数值 Rating	单位 Unit
V _{CB0}	-60	V
V _{CE0}	-50	V
V _{EB0}	-6.0	V
I _C	-2.0	A
I _{CP}	-4.0	A
P _C	1.0	W
T _j	150	°C
T _{stg}	-55~150	°C



引脚: 1. E 2. C 3. B

电性能参数/Electrical characteristics(Ta=25°C)

参数符号 Symbol	测试条件 Test condition		数值 Rating			单位 Unit
			最小值 Min	典型值 Typ	最大值 Max	
V _{CB0}	I _C = -10 μA	I _E = 0	-60			V
V _{CE0}	I _C = -1.0mA	R _{BE} = ∞	-50			V
V _{EB0}	I _E = -10 μA	I _C = 0	-6.0			V
I _{CB0}	V _{CB} = -50V	I _E = 0			-0.1	μA
I _{EB0}	V _{EB} = -4.0V	I _C = 0			-0.1	μA
h _{FE(1)}	V _{CE} = -2.0V	I _C = -100mA	100		560	
h _{FE(2)}	V _{CE} = -2.0V	I _C = -1.5A	40			
f _T	V _{CE} = -10V	I _C = -50mA		150		MHz
C _{ob}	V _{CB} = -10V	f = 1.0MHz		22		pF
V _{CE(sat)}	I _C = -1.0A	I _B = -50mA		-0.3	-0.7	V
V _{BE(sat)}	I _C = -1.0A	I _B = -50mA		-0.9	-1.2	V

h_{FE(1)}分档/h_{FE(1)} classifications: R:100~200 S:140~280
T:200~400 U:280~560



2SB892 (3CA892)

